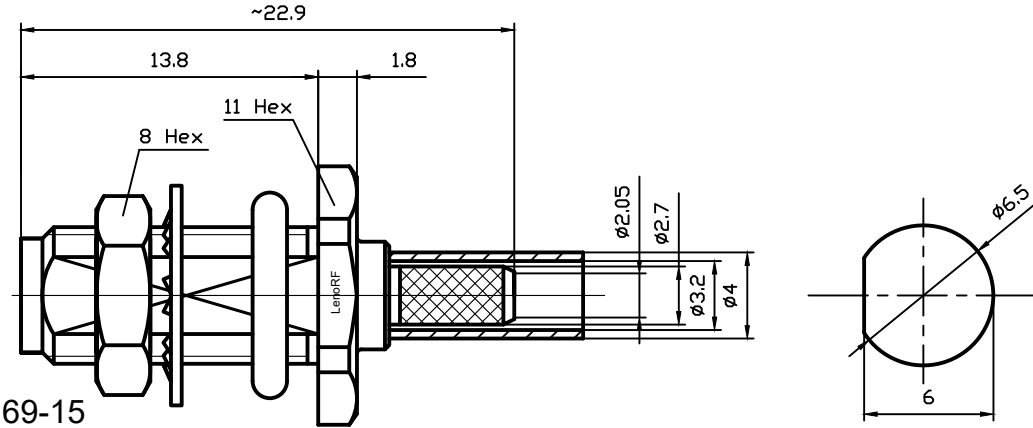


RevNo	Revision note	Date	Signature	Checked
V1.0	Sketch only	19/03/2026		



**Interface Per:** MIL-STD-348, IEC 60169-15

**Cable Type:** RG178

**Material & Finishing:**

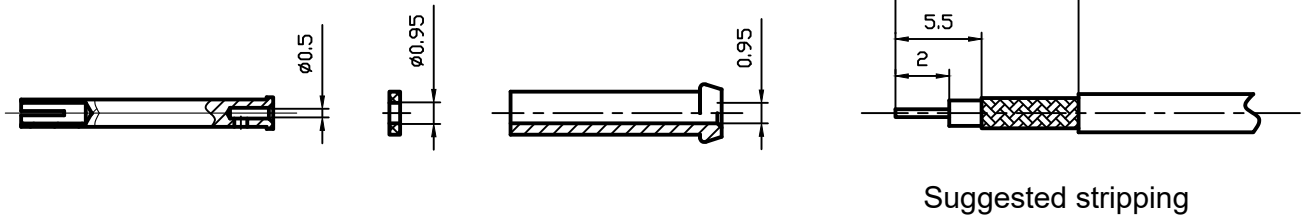
1. Center conductor: Brass, Gold Plating
2. Insulators: PTFE
3. Body : Brass, Gold Plating

**Electrical Data:**

1. Impedance: 50 Ohms
2. Frequency: 0~3GHz
3. VSWR:  $\leq 1.15$  @ 900MHz,  
 $\leq 1.25$  @ 1800MHz,  
 $\leq 1.35$  @ 3000MHz,  
 $\leq 1.5$  @ 6000MHz,
4. Insertion loss:  $\leq 0.05$ dB @ 900MHz,  
 $\leq 0.05$ dB @ 1800MHz,  
 $\leq 0.05$ dB @ 3000MHz,  
 $\leq 0.1$ dB @ 6000MHz,
5. Dielectric Withstanding voltage: 1000V Min
6. Voltage Rating : 500V Max

**Package :** 1 PC per bag

**Laser Mark:** LenoRF



RECOMMENDED MOUNTING HOLE

**Label Content:**

LenoRF  
 Part No: 3.01.441  
 Part Name: SMA JACK FOR RG178 CABLE  
 QTY: 1 PC  
 Date: WW/YY (Week/year)

Unless otherwise specified, tolerances as below: .x ±0.15 .xx ±0.1 .xxx ±0.05 Angle: ±2°	Material:	See Notes	Weight	g		
	Finish:	See Notes	Scale	8 : 1		
	Unit	mm	Page	01		
	REV.	V1.0	p/n	01		
Drawn	DATA:	Projection			DWG NO.	3.01.441
Checked	DATA:	Title:	SMA JACK FOR RG178 CABLE		Cust P/N.	TBD
Approved	DATA:					