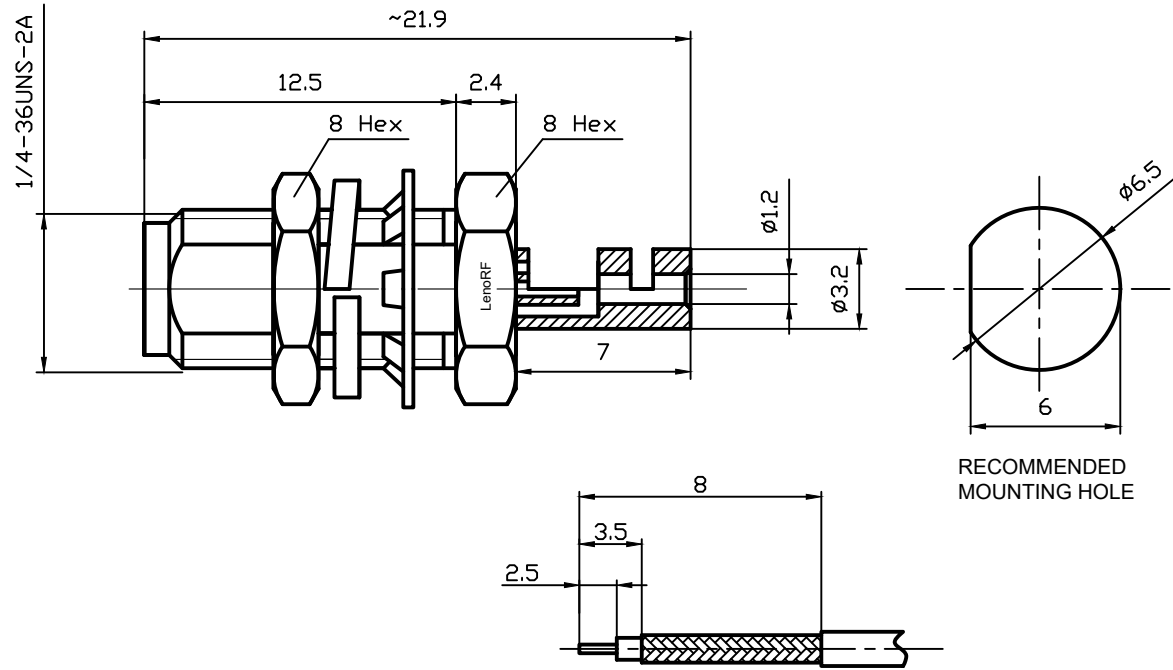


RevNo	Revision note	Date	Signature	Checked
V1.0	Sketch only	19/03/2026		

RoHS Compliant.



Interface Per: MIL-STD-348, IEC 60169-15
Cable Type: 1.13

Material & Finishing:

1. Center conductor: Brass, Gold Plating
2. Insulators: PTFE
3. Body : Brass, Gold Plating

Electrical Data:

1. Impedance: 50 Ohms
2. Frequency: 0~3GHz
3. VSWR: ≤ 1.2 @ 900MHz,
 ≤ 1.3 @ 1800MHz,
 ≤ 1.4 @ 3000MHz,
 ≤ 1.5 @ 6000MHz,
4. Insertion loss: ≤ 0.05 dB @ 900MHz,
 ≤ 0.05 dB @ 1800MHz,
 ≤ 0.05 dB @ 3000MHz,
 ≤ 0.1 dB @ 6000MHz,
5. Dielectric Withstanding voltage: 1000V Min
6. Voltage Rating : 500V Max

Package : 1 PC per bag
Laser Mark: LenoRF

Suggested stripping

Label Content:

LenoRF
Part No: 3.01.442
Part Name: SMA JACK FOR 1.13 CABLE
QTY: 1 PC
Date: WW/YY (Week/year)

Unless otherwise specified,
tolerances as below:
.x ± 0.15
.xx ± 0.1
.xxx ± 0.05
Angle: $\pm 2^\circ$

Material:	See Notes	Weight	g
Finish:	See Notes	Scale	8 : 1
Unit	mm	Page	01
REV.	V1.0	p/n	01
Drawn	DATA:	Projection	01
Checked	DATA:	Title:	SMA JACK FOR 1.13 CABLE
Approved	DATA:		



DWG NO. **3.01.442**
Cust P/N. **TBD**