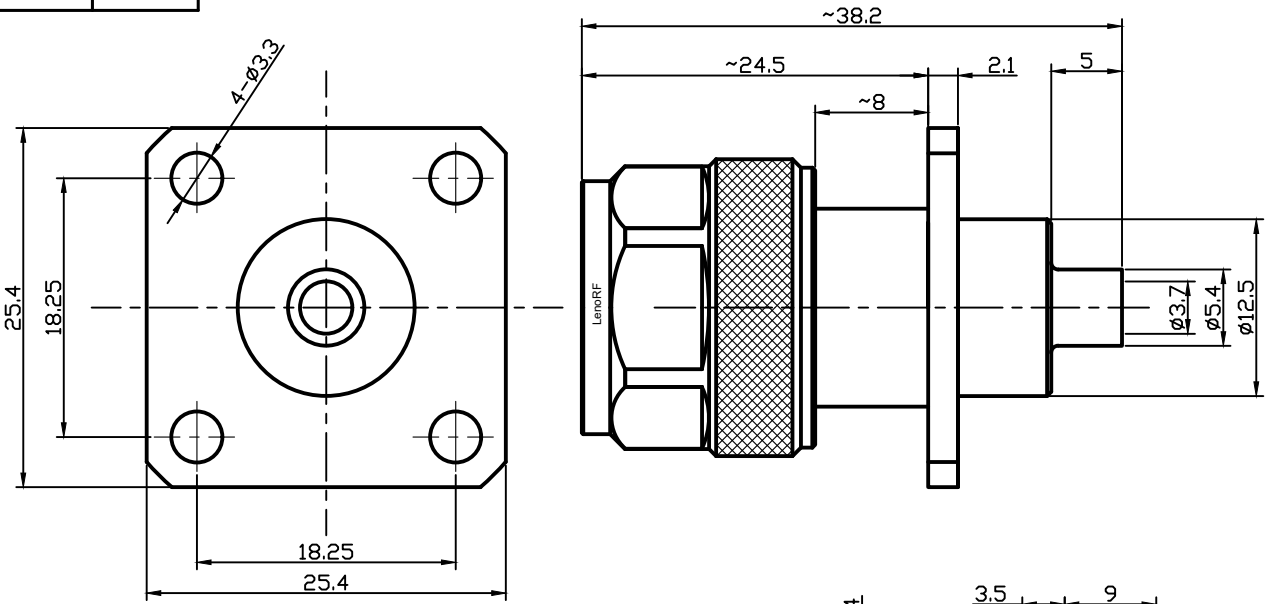


RevNo	Revision note	Date	Signature	Checked
V1.0	Sketch only	09/04/2026		

RoHS Compliant.



Interface Per: MIL-STD-348, IEC 60169-16
Cable Type: RG141

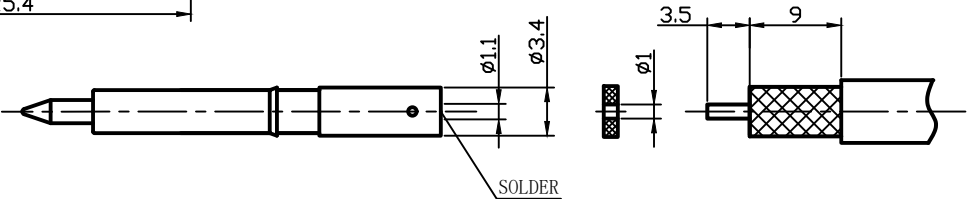
Material & Finishing:

- Center conductor: Brass, Silver Plating
- Insulators: PTFE
- Body : Brass, Ternary alloy Plating

Electrical Data:

- Impedance: 50 Ohms
- Frequency: 0~6GHz
- VSWR: ≤1.1 @ 900MHz,
 ≤1.15 @ 1800MHz,
 ≤1.2 @ 3000MHz,
 ≤1.3 @ 6000MHz
- Insertion loss: ≤0.05dB @ 900MHz,
 ≤0.05dB @ 1800MHz,
 ≤0.05dB @ 3000MHz,
 ≤0.1dB @ 6000MHz
- Dielectric Withstanding voltage: 1000V Min
- Voltage Rating : 500V Max

Package : 1 PC per bag
Laser Mark: LenoRF



Label Content:

LenoRF
 Part No: 3.04.0346
 Part Name: N PLUG FLANGE MOUNTING FOR RG141 CABLE
 QTY: 1 PC
 Date: WW/YY (Week/year)

Unless otherwise specified, tolerances as below: .x ±0.15 .xx ±0.1 .xxx ±0.05 Angle: ±2°	Material:	See Notes	Weight	g		
	Finish:	See Notes	Scale	8 : 1		
	Unit	mm	Page	01		
	REV.	V1.0	p/n	01		
Drawn	DATA:	Projection			DWG NO.	3.04.0346
Checked	DATA:	Title:	N PLUG FLANGE MOUNTING FOR RG141 CABLE		Cust P/N.	TBD
Approved	DATA:					