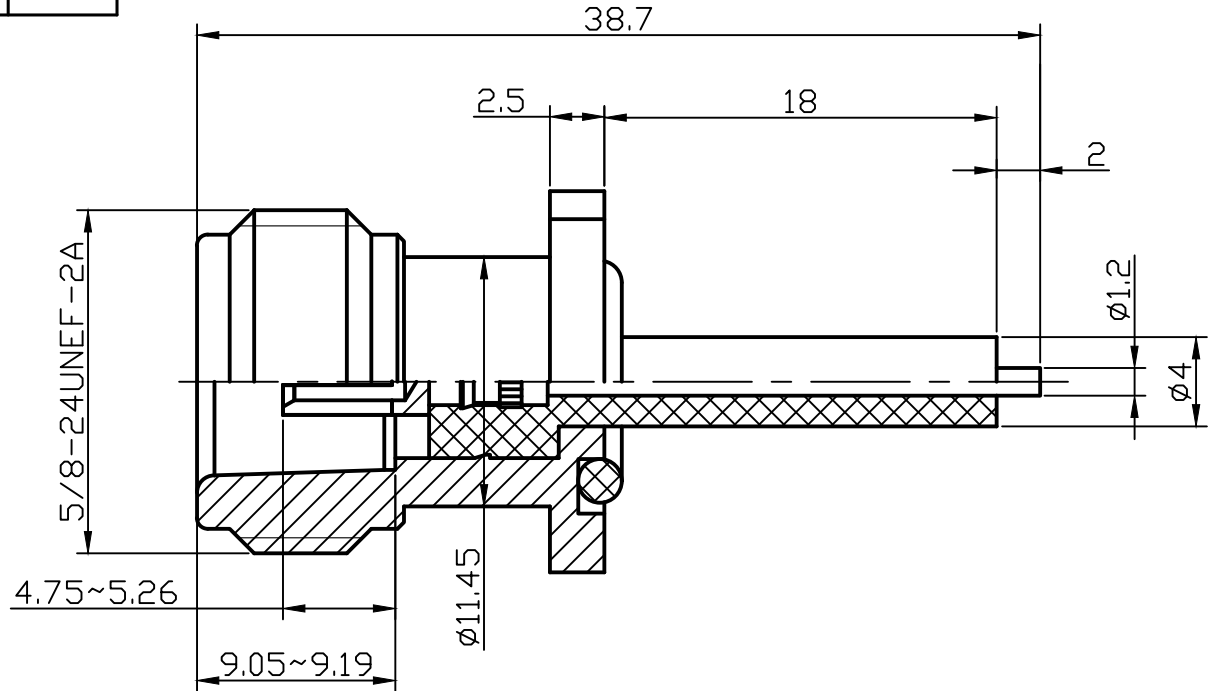
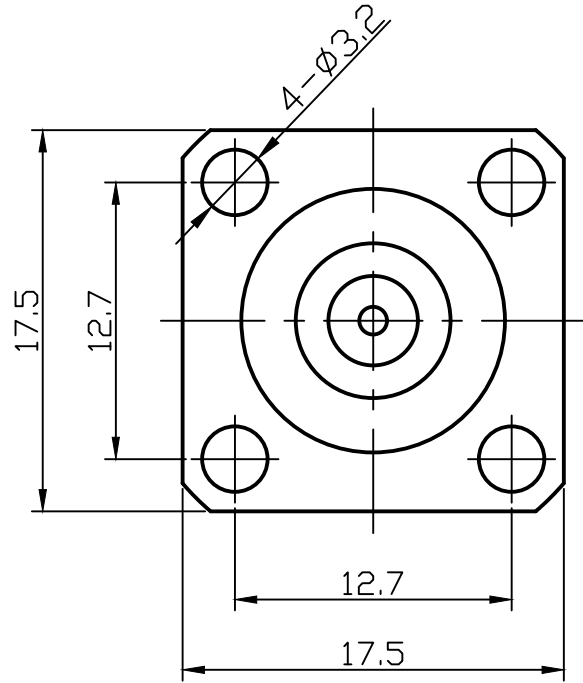


RevNo	Revision note	Date	Signature	Checked
V1.0	Sketch only	15/05/2026		

RoHS Compliant.



Interface Per: MIL-STD-348, IEC 60169-16

Material & Finishing:

1. Center condutor: Phosphor bronze, Gold Plating
2. Insulators: PTFE
3. Body : Brass, Nickel Plating
4. Sealing ring: Silicone rubber, Red

Electrical Data:

1. Impedance: 50 Ohms
2. Frequency: 0~11GHz
3. VSWR: ≤1.3 @ 6GHz,
4. Dielectric Withstanding voltage:1500V Min
5. Voltage Rating : 1000V Max

Unless otherwise specified, tolerances as below: .x ±0.15 .xx ±0.1 .xxx ±0.05 Angle: ±2°	Material:	See Notes	Weight	g		
	Finish:	See Notes	Scale	3:1		
	Unit	mm	Page	01		
	REV.	V1.0	p/n	01	DWG NO.	3.04.0350
Drawn		DATA:	Projection		Cust P/N.	TBD
Checked		DATA:	Title: N JACK FLANGED CONNECTOR			
Approved		DATA:				